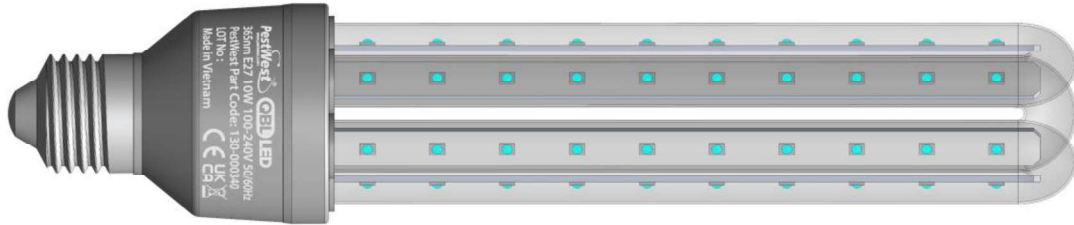


E27 10W LED UV-A BULB 100-240V 50-60Hz



PestWest Part Code:
130-000340



Product Description

- E27 LED UV-A 365nm
- Integral driver
- Can retrofit and replace fluorescent E27 bulbs with integral ballasts with no re-wiring required.
- Designed for both 120V and 230V AC (50-60Hz)
- Good UV energy / Electrical power ratio.
- Single peak wave.
- Good energy savings.

Features and Benefits

- Long 2 Year lifetime.
- Mercury free product.
- Energy Saving.
- Eco friendly.

Table 1. General Information

Product Code	Voltage (Vrms)	Frequency (Hz)	Power Consumption (W)	Peak Wavelength λ_p (nm)
130-000340	AC 100-240	50-60	10	365

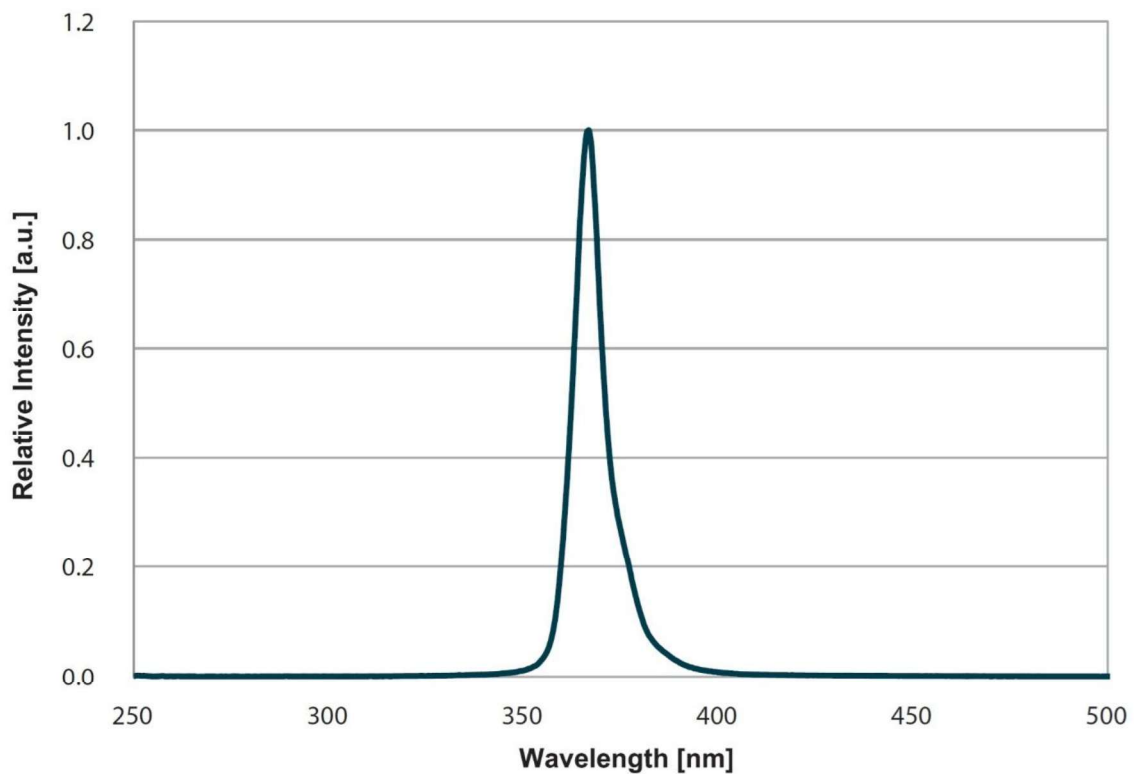
Table 2. Electro Optical Characteristics

Parameter	Symbol	Value			Unit
		Min.	Typ.	Max.	
Power Consumption	P_d	9.6	9.8	10	W
Frequency		50		60	Hz
Input Current @230V AC			50		mA
Power Factor	λ	84	92	97	%
Peak Wavelength	λ_p	365	367	370	nm
Radiation Angle	θ		360		deg
UV Lifetime Expectation	L70		17,500		h
Operating Temperature	T_{opr}	-10		40	°C
Storage Temperature	T_{stg}	-20		85	°C

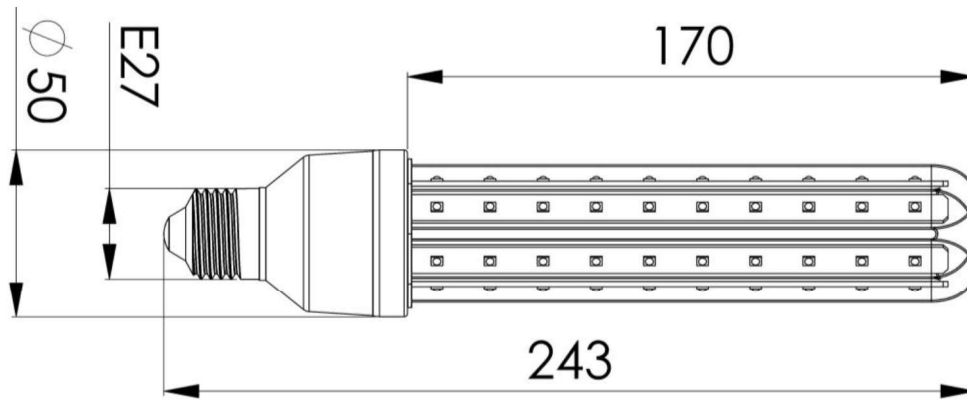
L70: When the average bulb degrades to 70% of its initial UV-A output.

Spectral Power Distribution

Fig 1. Spectrum



Mechanical Dimensions



Precautions for use

Safety Warnings

- Failure to switch off power to the fixture before removing the bulb (hot swapping) may result in permanent damage to the LED's.
- This product must not be installed where it is directly exposed to rainy, wet, dusty, or combustible environments. Please confirm whether the fixture it will be placed in meets the protection requirements.
- The Product emits high intensity ultraviolet light which can be harmful to your eyes and skin. Do not look directly into the UV light and wear protective equipment during operation.
- Installation should be performed by a qualified electrician or experienced person.
- This product should not be used by children.
- Maintenance may be carried out by persons with reduced physical, sensory, or mental capabilities or lack of experience and knowledge if they have been given supervision or instruction concerning use of the equipment in a safe way and understand the hazards involved.
- Do not attempt to repair or modify the product.
- Turn off the power source to the fixture for safety when changing the bulbs.
- Do not touch or handle the bulbs with wet hands.
- Do not use where directly exposed to water.
- Do not use with dimmers.
- Not for use in totally enclosed luminaires.
- Not suitable for household illumination.